

Motic®

MORE THAN MICROSCOPY



PX43MET

INVERTED METALLOGRAPHY MICROSCOPE

PX43MET

Inverted Metallography Microscope

The PX43MET, an Inverted Metallurgical microscope dedicated to the inspection of bulky samples in automotive, machinery, steel industry and other applications. Targeting the irregular and large sized samples, large metal pieces or die casting parts, too large to be treated with an upright microscope model, can easily be examined to perform failure analysis, material research and quality control.



PX43MET



Infinity Plan Semi-Apochromatic Bright and Dark Field Objectives

The PX43MET makes use of a CCIS infinity optical system to provide you with brightfield, darkfield, and inverted microscopy. Along with its ultra-long working distance objective lens, PX43MET offers multi-method, flexible metallographic examination.

The high transmittance objective lenses are made with multi-layer coating, which greatly improves contrast and displays an observed image with high brightness and clarity.

	N.A.	W.D.(mm)
Plan S-APO 5X/BD 5X	0.15	18.9
Plan S-APO 10X/BD 10X	0.30	11.9
Plan S-APO 20X/BD 20X	0.50	2.9
LPlan S-APO 50X/BD 50X	0.55	8.1
LPlan S-APO 100X/BD 100X	0.80	3.6



PX43MET

Eyepieces

With the Motic infinity chromatic aberration corrected CCIS optical system, the PX43MET shows you a flat 22mm field of view. The high eye point eyepieces ensure crisp image color and clear image quality, while reducing visual fatigue. Diopter adjustment allows users to obtain the best viewing effect for their eyes.



Nosepiece

Motic's newly designed quintuple nosepiece ensures precise positioning when changing the objective lenses. The inclined position of the objectives allows you to easily read the objective info while working, and allows for ergonomic access to change magnification.

PX43MET



Mechanical moving stage

The PX43MET microscope's unique three-layer stage and movable handle design make it more convenient for you to move specimens, which greatly improves observation efficiency and comfort of use.

The 320mmx194mm large-area stage allows you to choose a wider range of specimens. The hard-coated surface is anti-corrosive and wear resistant. The stage stroke is 50X50mm to ensure sufficient operating distance for the user.

PX43MET

Illumination

The PX43MET supports brightfield, darkfield and polarized light observation.

In the standard configuration, the PX43MET uses a 12V/100W halogen lamp, which provides ample illumination intensity for its full set of objective lenses. The built-in power supply also saves you valuable work space.

The PX43MET also introduces a new Motic innovation, the "ECO Smart Sense". The infrared sensor built into the stand can detect whether or not there is a user working in front of the microscope. If the user leaves the PX43MET for over 15 minutes, the microscope will automatically switch off; and when the user returns, the sensor will automatically turn on the scope.

The PX43MET microscope fits smartly and seamlessly into your daily routine. The unique antiglare design when switching from darkfield to brightfield ensures that the instantaneous illumination brightness will not be too strong; and the brightness gradually increases, giving users enough adjustment time to protect their eyes from stray light.

The halogen and LED lighting modules of the PX43MET can be directly replaced, which is a patented design of Motic. LED lighting has low heat generation and is suitable for observing heatsensitive samples.



Polarized light and differential interference DIC observation

The PX43MET meets the needs of your polarized light examinations. Simply insert the polarizer and analyzer into the optical path to use. Differential interference Contrast (DIC) observation provides high-quality images for samples with large depth differences.

PX43MET

PROFESSIONAL RECORDING PROGRAM



Standard photomicrography

Whether it is a DSLR camera or a digital camera, it can be used to record images on the PX43MET with a photographic eyepiece (2.5x or 4x) and a camera mount. Together they form a powerful working combination, giving you images with true-to-life color and true detail. The T2 adapter is provided by the camera supplier.

Digital record

Motic also offers digital solutions for better recordkeeping. The PX43MET can come packaged with digital cameras and software that allows for easy importing/exporting of sample images. The microscope can be used with our Moticam microscope cameras, which are advanced CMOS cameras that range from 1MP to 20MP. The Motic range of cameras are definitely capable of matching your applications, with a selection of black / white, color, and options with cooled capabilities.

CCD adapter

With a standard thread size of 38mm, the PX43MET CCD adapters are a brand-new design from Motic, made to guarantee image quality for the microscope's trinocular head. The choice of adapter magnification should be based on the camera capability.

Motic offers the following options: 1x, 0.65x, 0.5x.



Professional metallographic analysis system

The Motic Analysis Software offers even more advanced methods of measurement, image processing, and report creation. In addition to a full suite of measuring tools, our Motic Analysis Software also offers the following features:

- Live Multi-Focus (Z-stack EDF for manual microscopes)
- Live Tiling (Panorama using manual stages)
- Auto Focus, Auto Count, Auto Segmentation

Designed to keep microscopy easy and simple, the Motic Analysis Software can be further customized for your own specific workflow and application.

PX43MET

TECHNICAL SPECIFICATION

358

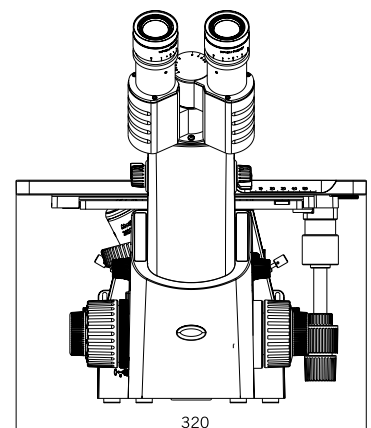
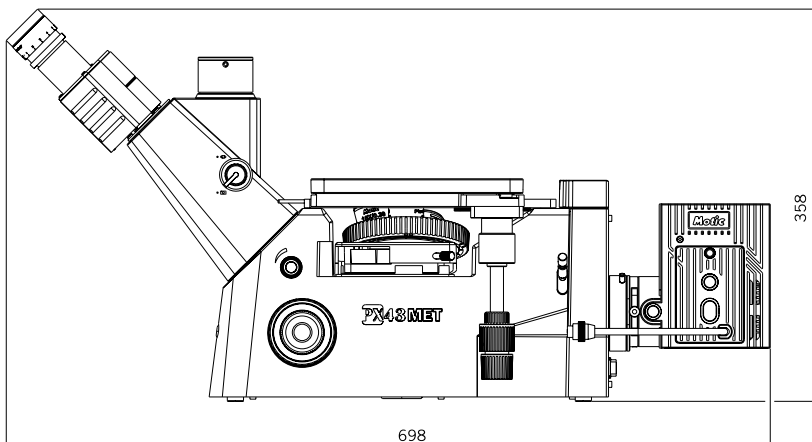
OPTICAL SYSTEM	Colour Corrected Infinity Optical System (CCIS®)
OBSERVATION TUBE	360° swiveling
INTERPUPILLARY DISTANCE	adjustment range: 48mm to 75mm
EYEPIECE	10X objective (φ22) UC-WF 10X/FN22
EYEPIECE DIOPTR ADJUSTMENT	5
TRINOCULAR SPECTRAL RATIO	light splitter trino 20 : 80
NOSEPIECE	Quintuple

OBJECTIVES

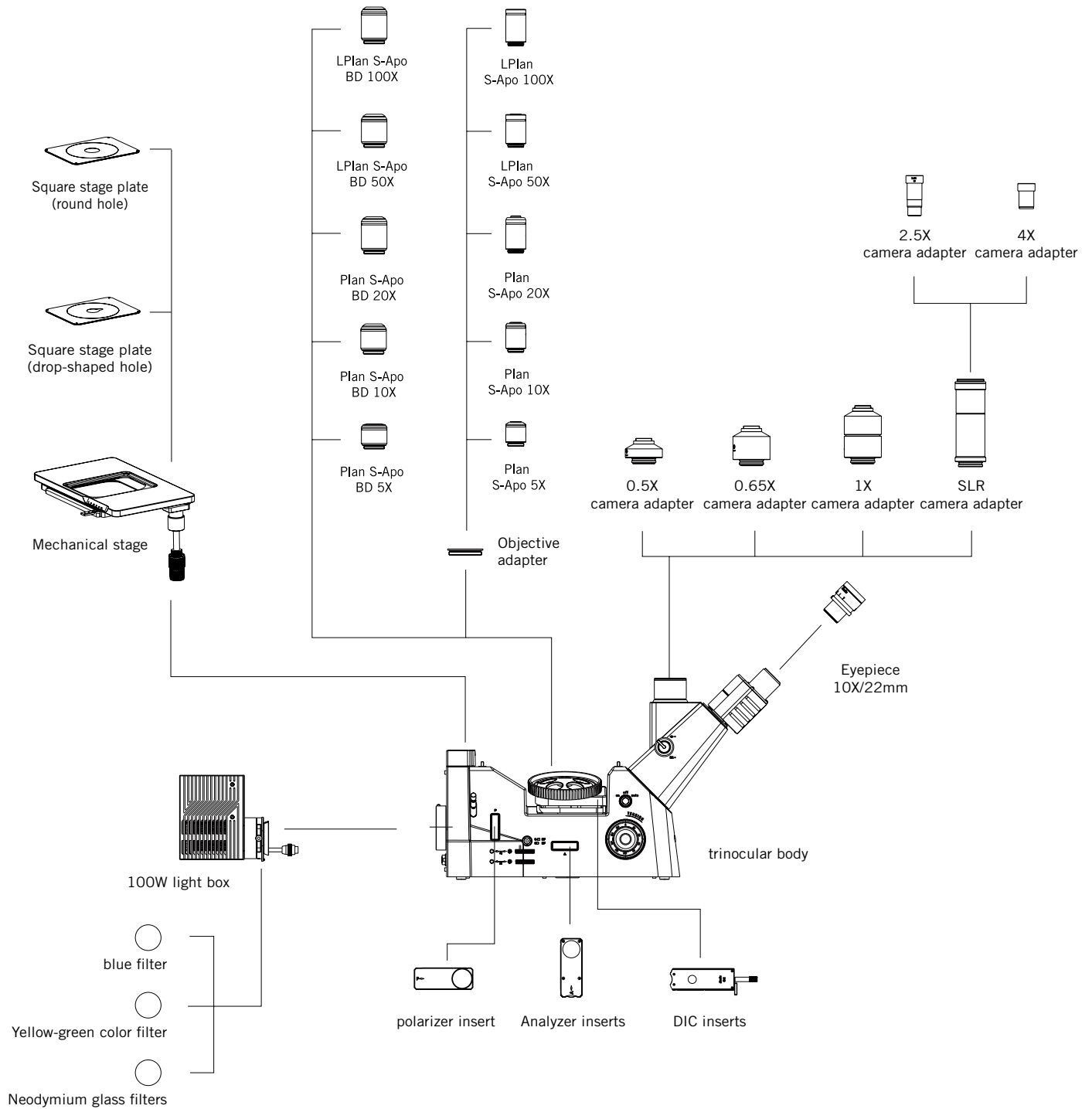
	N.A.	W.D.(mm)
Plan S-APO 5X/BD 5X	0.15	18.9
Plan S-APO 10X/BD 10X	0.30	11.9
Plan S-APO 20X/BD 20X	0.50	2.9
LPlan S-APO 50X/BD 50X	0.55	8.1
LPlan S-APO 100X/BD 100X	0.80	3.6

OBJECTIVE LENS MOUNTING	W26 X 0.706
STAGE SIZE	320(W) X 194(L) mm
MECHANICAL STAGE X&Y RANGE	50 X 50mm
MINIMUM FINE-TUNING ACCURACY (UM)	Coarse and fine coaxial focus, coarse focus 42mm/revolution, fine focus 0.2mm/revolution, 0.002mm/div

Unit: mm



System Overview



Motic®

Canada | China | Germany | Spain | USA | Hong Kong



www.motic.com

EN | ES | FR | DE | IT | PT

Motic Instruments (Canada)

130 - 4611 Viking Way, Richmond, BC V6V 2K9 Canada
Tel: 1-877-977 4717 | Fax: 1-604-303 9043

Motic Deutschland (Germany)

Christian-Kremp-Strasse 11, D-35578 Wetzlar, Germany
Tel: 49-6441-210010 | Fax: 49-6441-210 0122

Motic Hong Kong Limited (Hong Kong)

Unit 1712, 17th Floor, Exchange Tower, 33 Wang Chiu Road, Kowloon Bay,
Kowloon, Hong Kong
Tel: 852-2837 0888 | Fax: 852-2882 2792

Motic Europe (Spain)

C. Les Carts 12, Pol. Ind. Les Carts. 08349 Cabrera de Mar, Barcelona, Spain
Tel: 34-93-756 62 86 | Fax: 34 93 756 6287

Motic USA

6508 Tri-County Parkway, Schertz, TX 78154, United States
Tel: 800 275 3716 | Fax: 200 590 1104

*CCIS® is a trademark of Motic Incorporation Ltd.

Motic Incorporation Limited Copyright © 2002-2023. All Rights Reserved.

Design Change: The manufacturer reserves the right to make changes in instrument design in accordance with scientific and mechanical progress, without notice and without obligation.

Designed in Hong Kong

Updated: 03.04.2023



Official Distributor: